

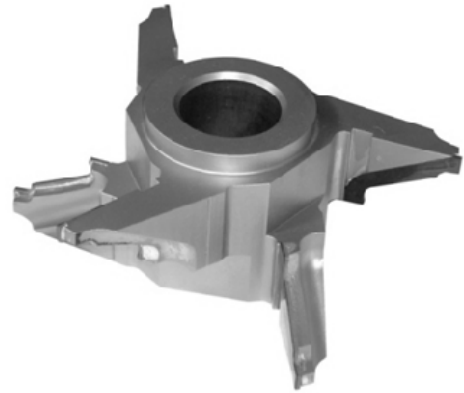


Diamond Tooling



Carolina Specialty Tools, Inc. manufactures and services diamond tooling at our modern manufacturing facility. We have the latest in CNC - Balancers, Electrical Discharge Grinding, Lathes, Mills and CNC inspection. With our design and manufacturing capabilities, CST can provide your company with the most cost effective diamond tooling available. We can service any diamond tooling.

Give us a call to start saving money with diamond tooling.



Phone: 866-770-8665 - www.carolinatools.com - Fax: 866-418-8665



Diamond MDF Door Bits



Standard Diamond Tipped router bits to manufacture MDF doors. These are the same patterns as our Carbide Tipped router bits found on page 42. Single wing tools can run up to 300 IPM and double wing tools can run up to 600 IPM.

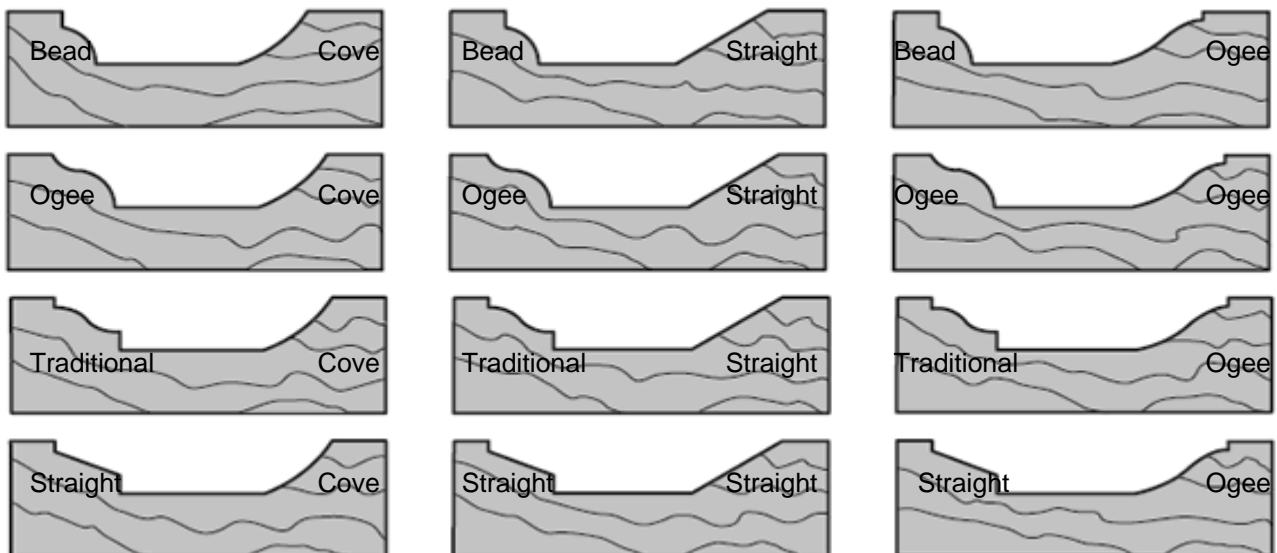
Don't forget to add a 1/8" diameter solid carbide router bit, part #CSC09A - found on page 37, to finish up your corners with a 1/16" radius.

Custom tools available upon request.

1 or 2 Wing Call for Quote

Large Diameter	Style	Overall Length	Shank Diameter
7/8"	Bead	2 1/2"	1/2"
1 1/4"	Traditional	2 1/2"	1/2"
1 1/4"	Ogee	2 1/2"	1/2"
1 1/4"	Straight	2 1/2"	1/2"
1 1/2"	Cove	2 1/2"	1/2"
1 1/2"	Straight	2 1/2"	1/2"
1 1/2"	Ogee	2 1/2"	1/2"

Panel & Stile Combination Profiles





Diamond MDF Door Bits



Outside Door Profiles



DE1



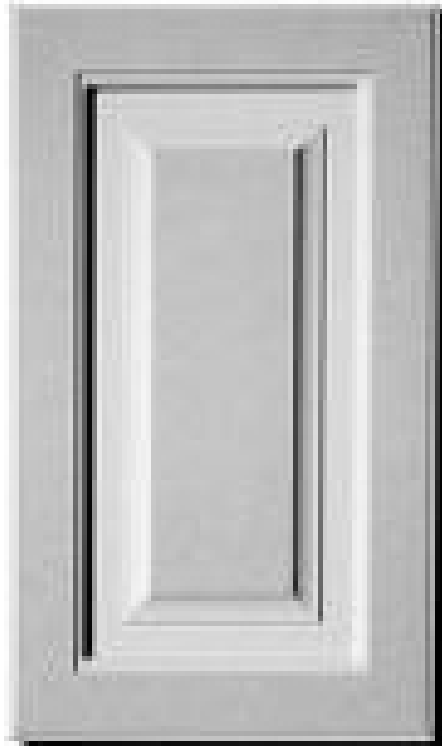
DE2



DE3



DE4



DE5



DE6



DE7



DE8

CST offers a wide variety of diamond tipped routers for outside door edge profiles for the manufacture of MDF doors. Single wing tools can run up to 300 IPM and double wing tools can run up to 600 IPM.

Call for Quote		Small Diameter	Shank Diameter
1 Wing	2 Wings		

Be Sure to specify style number

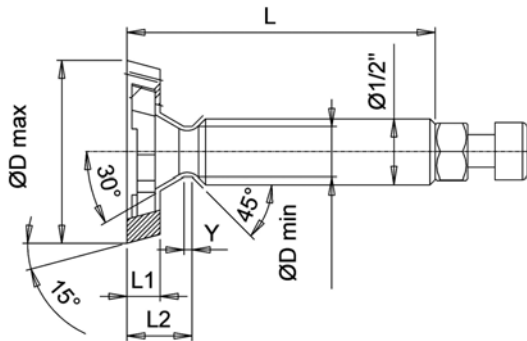


Diamond Router Bits



Diamond Tipped Router Bits 1+1 Design

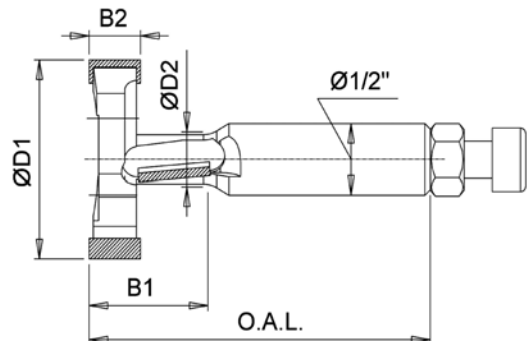
Part Number	OD	CEL	Shank OD	OAL
SR-1025	3/8"	1"	1/2"	2"
SR-1320	1/2"	1"	1/2"	2 3/4"
SR-1334	1/2"	1 1/4"	1/2"	3 1/2"
SR-1346	1/2"	1 3/8"	1/2"	3 1/8"
SR-1621	5/8"	1"	5/8"	3 1/2"
SR-1640	5/8"	1 3/8"	5/8"	4"
SR-1920	3/4"	1"	3/4"	3 3/8"
SR-1935	3/4"	1 3/8"	3/4"	3 3/4"
SR-1940	3/4"	1 5/8"	3/4"	4"
SR-1950	3/4"	2 1/6"	3/4"	4 1/2"



Diamond Tipped T-Slot Bits

2+1 Design - 1/2" Shank - 2 3/8" Overall Length

Part Number	OD Max.	OD Min.	L1	Y	L2	Rotation
TS-3504	1 1/4"	1 3/8"	1/4"	1/16"	1/2"	RH
TS-3506	1 1/4"	1 3/8"	1/4"	1/16"	1/2"	LH
TS-3505	1 3/8"	1 3/8"	1/4"	1/16"	1/2"	RH
TS-3507	1 3/8"	1 3/8"	1/4"	1/16"	1/2"	LH



Diamond Tipped T-Slot Bits

2+1 Design - 1/2" Shank

Part Number	OD 1	OD 2	B1	B2	Overall Length	Rotation
TSS-3005	1 3/16"	3/8"	5/8"	1/4"	2 3/8"	RH
TSS-3205	1 1/4"	3/8"	3/4"	1/4"	2 1/2"	RH
TSS-3505	1 3/8"	3/8"	3/4"	1/4"	2 1/2"	RH
TSS-3508	1 3/8"	3/8"	7/8"	3/8"	2 1/2"	RH